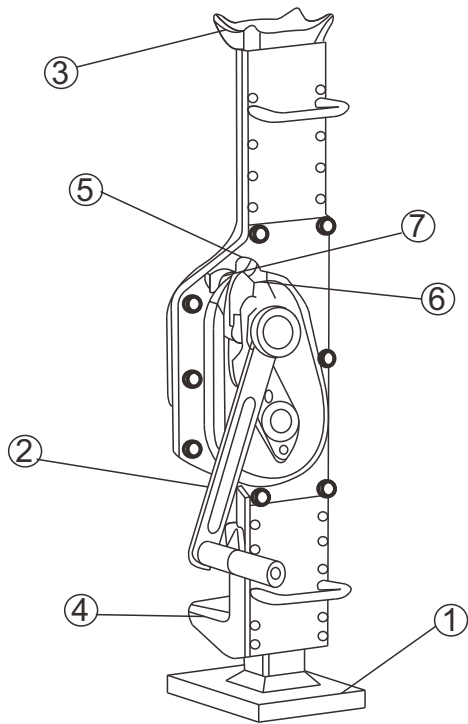


# Mechanical Lifting Jack



(1)Base

(2)Level

(3)Upper Support Stand

(4)Lower Support Stand

(5)Upper Ratchet Pawl

(6)Lower Ratchet Pawl

(7)Axle Ring

# Hydraulic Lifting Jack

1.Release valve

lever

2.Base

3.O-ring

4.Hydraulic cylinder

5.Ram

6.Hydraulic oil

7.Oil-tight tank

8.Extension

screw

9.Top cap

10.Pump plunger

11.Pump body

12.O-ring

