

/LIWLQJ 5LJJLQJ

7HO
)D[
:KDWVDSS
(PDLO VDOHV #WLWDQVXKH FRP
2IILFH \$GG 1R +RQJMLQ 5RDG <XEHL 'LVWULFW &KRQJLQJ &KLQD
)DFWRU\ \$GG +LJK 7HFK ,QGxvwuldo 'HYHORSPhQW =R ZH ZjW & W D Q L X K H O L

86

17

7,7\$168+(LV RQH RI WKH VXEVLGLDU\ FRPSDQLHV XQGHU &+21*4,1* 58,*(*5283 &R /WG \$V D PDQXIDFWXULQJ JURXS DQG
 SURIHVVLQRQDO VXSSOLHU IRU OLIWLQJ SURGXFWV PDWHULDO KDQGOLQJ DQG ULJLQJ
 DQG GLVWULEXWLRQ RI YDULRXV OLIWLQJ WRROV HTXLSPHQW ULJLQJ KDUGZDUH HOHYDWRU (OHFWULF & KDLO +RLVW PRUH WKDQ (9\$725U\ 56523(
 PDLQ SURGXFWV DUH PDQXDO KRLVW HOHFWULF KRLVW VWHHO ZLUH URSH SRO\HVWHU /2: +(\$5220 (OHFWULF :LUH 5RSH +RLVW +R30W &2\$7(:5(523(
 HOHYDWRU SDUWV 6+ (OHFWULF :LUH 5RSH +RLVW 67\$,1/(66 67((/ :5(523(
 &' (OHFWULF :LUH 5RSH +RLVW
 3\$0LQ (OHFWULF :LUH 5RSH +RLVW
 6WDUWHG DV D VHUFLFH SURYLGHU RI HOHYDWRU DQG OLIWLQJ SURGXFWV LQ \HDU XQGHU WKH ODPH RI &KROJTLQJ 5XLJH (OHYDWRU &R
 /WG ZH HVWDEOLVKHG RXU ILUVW IDFWRU\ 6FKPLGW (OHYDWRU &R /WG LQ IRU HOHYDWRU DQG SDUWV SURGXFLQJ DQG FR LQYHVWHG ILYH
 IDFWRULHV IRU OLIWLQJ HTXLSPHQW DQG PDWHULDO KDQGOLQJ SURGXFWV PDQXIDFWXU

&+\$,1 %/2&.
 \$OO RXU IDFWRULHV DUH ,62 FHUWLILHG DQG PRVW RI RXU SURGXFWV KDYH &(*6 FHUWLILHG WK SRZHUOXO SURGXFWLRQ FDSDELOLW\
 DGYDQFHG TXDOLW\ DVVXUDQFH V\VWHP DQG SURIHVVLQRQDO VHUFLFH WHDP RXU SURGXFWV KDYH EHHQ H[SRUWHG WR RYHU FRXQWU\ 36
 IURP \$VLD (XURSH 0LGGOH (DVW 6RXWK 1RUWK \$PHULFD DQG \$IULFD :5(523(7+,0%/(
 +22.
 7851%8&./(
 ([FHSW WKH VXSHU TXDOLW\ SURGXFWV ZH DOVR SURYLGH FRPSOHWH VROXWLRQV WKH FXVWRPHU\ PD\ QHHG GXULQJ OLIWLQJ R:U9PDWHULDO
 KDQGOLQJ 2XU EXVLQHV DLP LV WR SURYLGH FXVWRPHU WKH EHVW TXDOLW\ SURGXFWV DW 2,67 7851%8&./(
 ULFK H[SHULHQFH LQ LQWHUQDWLRQDO VHUFLFH DQG KDYH D ZHDOWK RI NQRZOHGJH H[SHULHQFH &LSO3 WKH ILOHG RI OLIWLQJ ODYKLQJ :H'FDQ
 SURYLGH H[FHOHQW DGYLFH DQG VXSSRUW WR LQVXUH \RX JHW WKH ULJKW SURGXFWV DW 6,1\$78&./2& FRVW
 +\$1' :1&+
 5\$7&+(7 38//5
 :5(523(:1&+
 0\$*1(7 /,)7(5

* &+\$,1	* &+\$,1
* &20321(176	* &+\$,1
* &+\$,1	0,/' 67((/ &+\$,1
* &20321(176	67\$,1/(66 67((/ &+\$,1

6+\$\$&./(:5(523(&/,36 7851%8&./(:5(523(7+,0%/(/,)7,1* 32,17 6:,9/6 6:\$*(6/(9(62&.(7 /2\$' %,1'(5)/\$7 6/,1* (1'/(66 6/,1* 5281' 6/,1* 6/,1* :(%%,1* 5\$7&+(7 7,('2:1 7,('2:1 :(%%,1* 7,('2:1 \$\$&(6625,(6
---	---

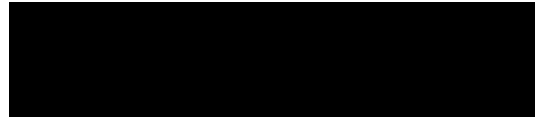
CHAIN & Components

Rigging & Hardware

STEEL WIRE ROPE

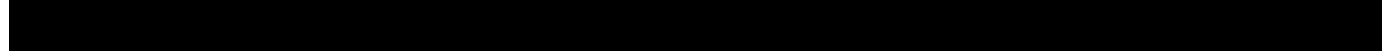
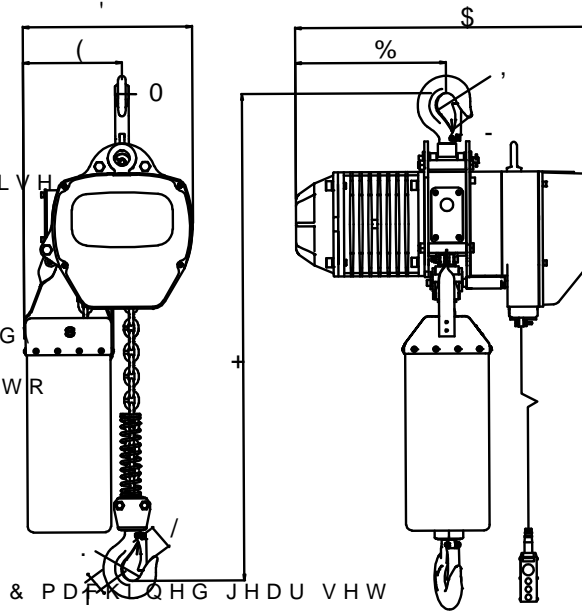
Stainless Steel & Light Duty Hardware

CHAIN



,67 ++%
6,21

3UHFLVLRQ 0DFKLQHG *HDU 6HW 3URYLGH VWDEOH DQG VPRRWK GULYHQ ZLWK VXSHU ORZHU QRLVH
 &RSSHU :LUH :LQGHG 0RWRU *LYHV VWURQJ SRZHU DQG GXUDEOH WKHUPDO UHVLVWDQFH
 4XLFN 3OXJ 3HGDQW &RQWURO)RU TXLFN DQG HDV\ LQVWDOODWLRQ DQG PDLQWHQDQFH
 6SULQJ /RDGHG 2YHU 7UDYHO 'HYLFH 6WRS OLIWLQJ DFWLRQ RQH VSULQJ WRXFK WKH KRLVW ERG
 GHJUHH VZLYHO ERWWRP KRRN (DV\ KRRN DQG SRVLWLRQ WKH ORDGV WR ZKHUH \RX GHVLUH WR
 %XLOW LQ 6WHHO :LUH 3HQGDQW &RQWURO *LYHV VWURQJ VXSSRUW WR SHGDQW FRUGV
 5HGXFH FDEOH GDPDJH RU EURNHQ E\ LWV GHDGZHLJKW
 -DSDQ WHFK ZLWK GXDO EUDNLQJ V\ VWHP HQVXUH IRU PRUH VDIH DQG UHOLDEOH RSHUDWLRQ
 'LH FDVWLQJ DOO VWHHO VWUXFWXUH IDQ FRROHG KHDY\ GXW\ PRWRU \$OOR\ VWHHO FKDLQ &1& PDP\ QHG JHDU VHW



++% \$)



++% %)



++% %)



++% %)



++%)



++%) ; ;



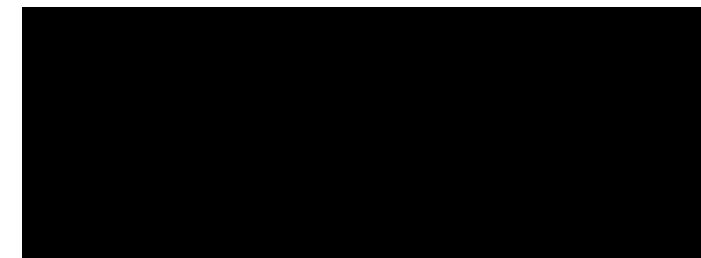
++%) ; ;



++%) ; ;



J PHWHU
OLIW NJ



++% \$)



++% %)



++% %)



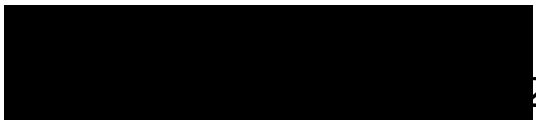
++%)



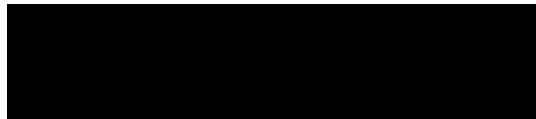
++%)



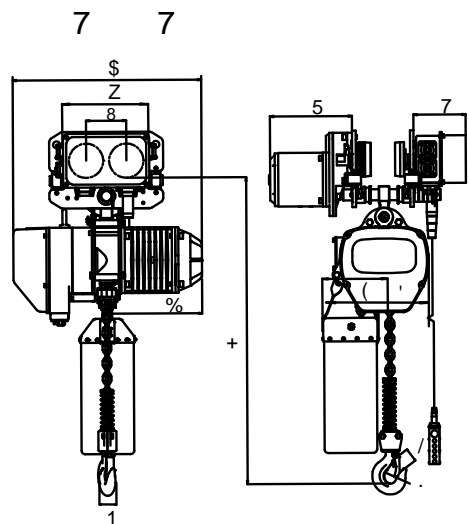
++%)



,67 ++ %
2//(<



,67 ++ %
0



SKDVH 9 +] 6LQJOH 6SHHG 'XDO 6SHHG



PHWHU
LIW NJ

++% \$(



++% % (



++% % (



++% % (



++% (



++% (; ;



++% (; ;

3GOT *OSKTYOUT 9OTMRK 9VKKJ *[GR 9VKKJ



++% \$)



++% %)



++% %)



++% %)



++%)



++%)



++%)

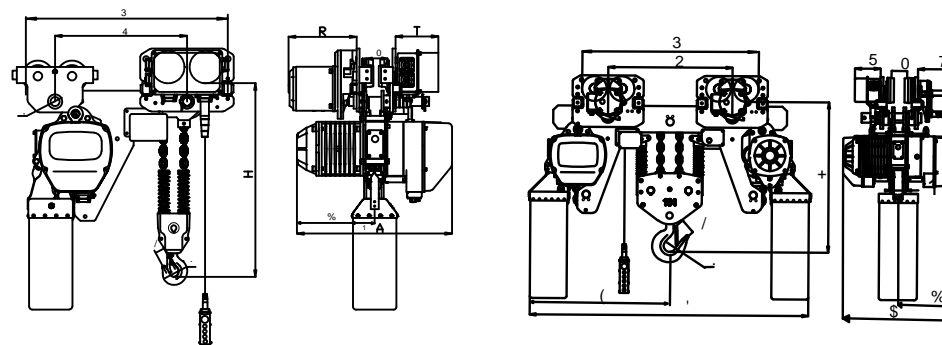


++%)



FRP

7 7
/2: +(\$'5220



SKDVH 9 +] 6LQJOH 6SHHG 'XDO 6SHHG



PHWHU
LIW NJ

++% \$/



++% %/



++% \$/



++% %/



++% %/



++% /



3GOT *OSKTYOUT 9OTMRK 9VKKJ *[GR 9VKKJ



++% \$/



++% %/



++% %/



++% %/



++% /



++% /



FRP

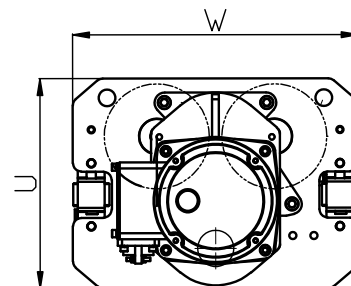
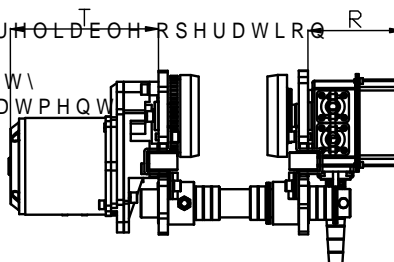
[REDACTED] 67 7&6+%

[REDACTED] 25 ++%

■ -DSDQ 7HFKQRORJ\
6LQJOH VSHHG 'XDO 6SHHG
/RDG OLPLWHG GHYLFH LV RSWLRQDO
7KHUPDO SUHYHQWLRQ GHYLFH

■ 7R EH XVHG WRJHWKHU ZLWK WKH HOHFWULF FKDLQ KRLVW
7KH XQLTXH VLGH JXLGH V\|VWHP PDNHV WKH WUROOH\ GULYHV VPRRWKO\
6LPSOH VWUXFWXUH JHDU ER\ OLJKW ZHLJKW DQG ZHOO EDODQFHG

■ -DSDQ WHFK ZLWK GXDO EUDNLQJ V\|VWHP HQVXUH IRU PRUH VDIH DQG UHOLDEOH RSHUDWLRQ
&RPSDFW GHVLJQ ZLWK OLJKW ZHLJKW KLJK HIILFLHQW RSHUDWLRQ
2YHUORDG OLPLWHU DQG WKHUPDO SUHYHQWLRQ GHYLFH HQDEOH VDIHW\
+LJK VWUHQJWK DOOR\ VWHHO FRPSRQHQWV ZLWK VSHFLDO KHDW WUHDWPHQW
DYRLGLQJ VXGGHQ EUHDN



0DLQ GLPHQVLRQ

[REDACTED]) +

7&6+%

[REDACTED]

7&6+%

[REDACTED]

7&6+% 6

[REDACTED]

+RRN 6XVSHQVLRQ 7\SH 7&6+% 6

[REDACTED]

7&6+%

[REDACTED]

6SHFLILFDWLRQV

3KDVH 9 += 6LQJOH 6SHHG GXDO 6SHHG

[REDACTED] KW SHU
[WUD OLIW

7&6+%

[REDACTED]

7&6+%

[REDACTED]

7&6+% 6

[REDACTED]

7&6+% 6

[REDACTED]

7&6+%

[REDACTED]

3KDVH 9 += VLQJOH VSHHG

[REDACTED] KW SHU
[WUD OLIW

7&6+'%

[REDACTED]

7&6+'%

[REDACTED]

7&6+'%

[REDACTED]

1RWH 2WKHU HOHFWULF VRXUFH LV DYDLODEOH DW H[WUD FRVW
\$V RXU SURGXFWV DUH LQFHVVDDQW\ EHLQJ LPSURYHG DQG GHYHORSHG WKHLU VWUXFWXUH PD\ EH VOLJKWO\ GLIIHUHQW IURP LQVWUXFWLRQV

[REDACTED]
73;
[REDACTED]
73;
[REDACTED]
73;
[REDACTED]
73;
[REDACTED]

[REDACTED] 7&6+%

[REDACTED]

'LPHQVRO

[REDACTED]

[REDACTED]

SKDVH Y K] SKDVH 9 +]

[REDACTED] LJKW

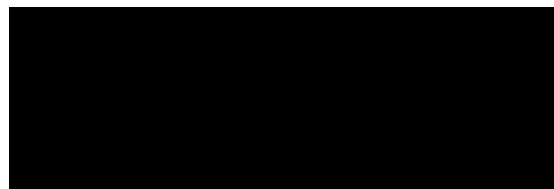
[REDACTED]

'& \$

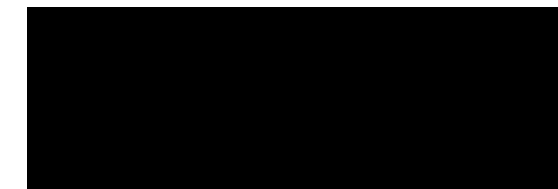
[REDACTED]

'& \$

[REDACTED]



(+2,67
220



7KLV NLQG RI ZLUH URSH KRLVW KDV QHZHVW GHVLJQLQJ ZLWK TXDGUDWH RXWOLQH P
PRGH FKDQJH FRPELQH LV YHU\ FRQYHQLHQW DQG PXOWLIRUP 7KH VSHFLDO GULYH FR
WUDQVPLVLRQ VKDIW 7KH UHGXFHU XVH SODQHWDU\ VSHHG GRZQ GULYH ZKLFK KDYH
WDSHU EUHDNLQJ ZKHHO PRWRU ZLWK ORZ \DZS GLVN UHOLDEOH :LWK WKH DGYDQFH
VDIHW\ +LJK SUHFLVLRQ DQG VXSHU PHFKDQLFDO VSLQ OLPLWHU +LJK TXDOLW\ FRQW
FRPSOLHG ZLWK WKH XS WR GDWH LQWHUQDWLRQDO VWDQGDUG

ODLQ)HDWXUHV
}^



	5RSH *XLGH ODGH RI KLJK VWUHQJWK Q\ORQ		UXP ODGH RI KLJK TXDOLW\ VWHHO
	:LUH 5RSH (OHFWULF *DOYDQL]HG 6WUHQJWK	1 PP	5HPRWH FRQWURO RSWLRQDO 6WURQJ DQWL LQWHUIHUHQFH5HPRWH FRQWURO UDQJH 0
	/LIWLQJ 0RWRU ,PSRUWHG IURP *HUPDQ\ 3URIHVVLRRQDO SROH FKDQJLQJ PRWRU (OHFWURPDJQHWLF GLVF EUDNH +DUGHQHG UHGXFHU		/RDG /LPLWHU +LJK VHQVLWLYLW\ OLPLWHU 6HWWOH WKH OLPLW DFFRUGLQJ WR XVHU UHTXLUHPHQW
	7UDYHOLQJ 0RWRU 3URIHVVLRRQDO FRQYHUWHU PRWRU (OHFWURPDJQHWLF GLVF EUDNH +DUGHQHG UHGXFHU		/LIWLQJ /LPLW 6ZLWFK \$GMXVWDEOH)RXU OHYHO
	%RG\ 6WUXFWXUH 6WDPSLQJ E\ GLH RU SODWH EHQGLQJ /HVX XVH RI ZHOGLQJ		(OHFWULF &RPSRQHQWV 6FKQLGHU DQG 3KRHQL[
	/LIWLQJ +RRN)RUJHG DOOR\ VWHHO +RRN ZLWK VDIHW\ ODWFK ZLWK KLJK VWUHQJWK Q\ORQ ZKHHO		K:KHHOV ORGXODU GHVLJQ ODGH RI DOOR\ VWHHO +HDW WUHDWPHQW



/LIWLQJ 0RWRU 3ODQHWDU\ JHDUER[
0RWRU EUDNH 2XWSXW\VKDIW
7HUPHQDQ\ ER[)UDPH
&RXSOLQJ &DP OLPLW\ZLWFK
&RQWURO EXWWRQ UXP DQG URSH JXLGH (OHFWULF FRQWURO ER[
2S-PO

&DP OLPLW VZLWFK 3ODQHWDU\ JHDUER[

UXP DQG URSH JXLGH (OHFWULF FRQWURO ER[

[REDACTED] 17 ('
(9,1 *

[REDACTED] + 2,67

)RRW PRXQWHG W\SH \$

)RRW PRXQWHG W\SH \$

[REDACTED]	W NJ +HLJKW	
6+\$ \$	+	/
[REDACTED]		
6+\$ \$	+	/
[REDACTED]		
6+\$ \$	+	/
[REDACTED]		
6+\$ \$	+	/
[REDACTED]		

[REDACTED]	W NJ +HLJKW	
6+\$ \$	+	/
[REDACTED]		
6+\$ \$	+	/
[REDACTED]		
6+\$ \$	+	/
[REDACTED]		

7UDYHOLQJ W\SH %

7UDYHOLQJ W\SH %

[REDACTED]	W NJ +HLJKW	
6+\$ %	+	/
[REDACTED]		
6+\$ %	+	/
[REDACTED]		
6+\$ %	+	/
[REDACTED]		

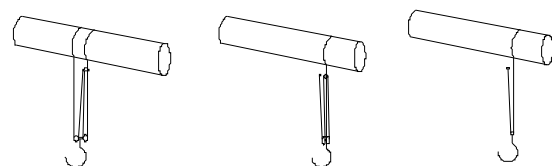
[REDACTED]	W NJ +HLJKW P	
6+\$ %	+	/
[REDACTED]		
6+\$ %	+	/2
[REDACTED]		
6+\$ %	+	/
[REDACTED]		

(+2,67

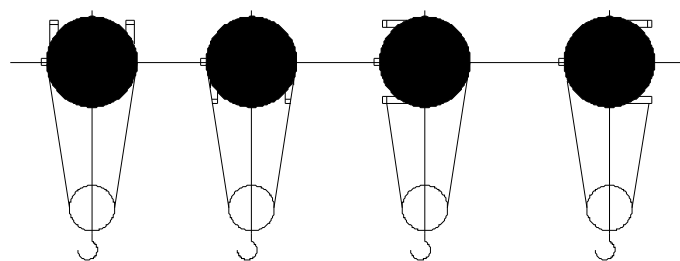
&' 0'

- 0RGHO &' 0' (OHFWULF :LUH +RLVW LV D VPDOO VLJHG OLIWLQJ HTXLSPHQW ZKLFK FDQ EH PRXQWHG RQ VLQJOH EHP EULGJH JDQWU\ DQG DUP FUDQHV
- :LWK VOLJKW PRGLLFDWLRQ LW FDQ DOVR EH XVHG DV D ZLQFK ,W LV ZLGH\ XVHG LQ IDFWRULHV PLQHV KDUERXUV ZDUHKRXVHV FDUJR VWRUDJH DUHDV DQG VKRSV HVVHQWLDO LQ UDLVLQJ ZRUNLQJ HIILFLHQF\ DQG LPSURYLQJ ZRUNLQJ FRQGLWLRQV
- 0RGHO &' (OHFWULF +RLVW KDV RQO\ QRUPDO VSHHG ZKLFK FDQ VDWLVI\ QRUPDO DSSOLFDWLRQ
- 0RGHO 0' (OHFWULF +RLVW SURYLGHV WZR VSHHGV QRUPDO VSHHG DQG ORZ VSHHG \$W D ORZ VSHHG LW FDQ GR SUHFLVH ORDGLQJ DQG XQORDGLQJ PRXQLQJ RI VDQG ER\ PDLQWHQDQFH RI PDFKLQH WRROV HWF

5RSH ZLQGLQJ V\WHP RI WKH KRLVW



0RXQLQJ SDWWHUQV RI ILJHG W\SH KRLVW

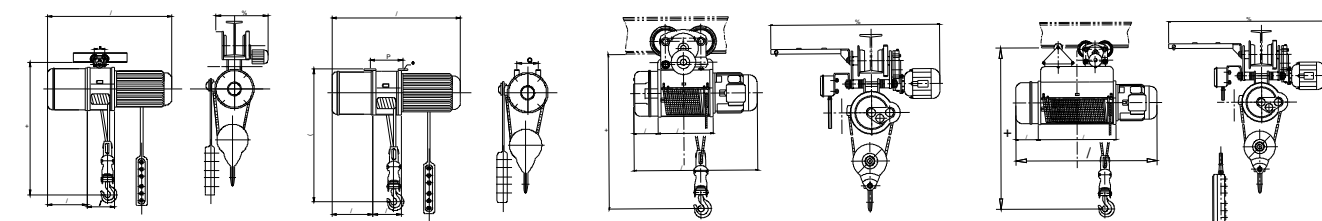


\$ 7RS PRXQLQJ %RWWRP PRXQLQJ /HIW VLGH PRXQLQJ \$ 5LJKW VLGH PRXQLQJ

1RWH

\$ 7KHVWDQGDUG OLIWLQJ KHLJKWLV DQG PHWHUV
 % 7KH OLIWLQJ VSHHG FDQ EH VLQJOH VSHHGRU GRXEHVSHHG HYHQPXOWL VSHHG ZLWKIHTXHQF\ LQYHUWHUV
 & 7KHVXLWDEOH UDLOIRUWKORZ KHDGURRPKRLVWLV + W\SHUDLO DQG, W\SHUDLO LV DOVR DYDLODEOH
 ' 7KHUFRPPHQGHG URSHUHHYLQJRIWKLVNLQGRKRLVWLV RU
 (7KHQRUPDOWUDYHOLQJVSHHGLV P PLQ DQG P PLQE\UHTXHV
) 7KHQRUPDOWUDYHOLQJVSHHGLV P PLQ DQG P PLQE\UHTXHV
 7KHQRUPDOWUDYHOLQJVSHHGLV P PLQ DQG P PLQE\UHTXHV

7UROOH\ W\SH



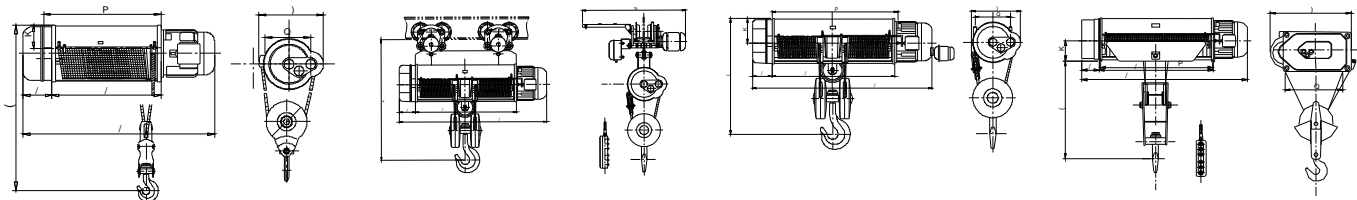
&G 0' PRGHO W)LIHG W\SH &' 0' PRGHO' 0W PRGHO 7 OLIWLQJ &HLJKW PRGHO 7 OLIWLQJ KHLJKW

0RGHO		&' 0'									
&DSDF\	7										
+R\W\Q HJKW	0										
/ILWQL SHHG	0 PLQ										
7DYHO SHHG	0 PLQ										
: LUH &H	D 'L	PP									
	&RV W\W\RD		h	'	;	'	;	'	;	'	;
7UDFN	7VM HSHV		E	E	E	E	D	F	D	F	
	0LQFXOWH QDV	P									
RZHU 3R XU		SDH & 9 +=									
: RUQLWVH SHHG W\SH		,QMHG W\SH & ZU WJ USR X									
+R\W\Q RWR	3R ZH	.Z									
	5R W\W\Q VSHG	5 PLQ									
	&XUHQW	\$									
7UYHO QLQ RRU	3R ZH	.Z									
	5R W\W\Q VSHG	5 PLQ									
	&XUHQW	\$									
1HW HZJK W f NU	&'										
	0'										
	&' IHG										
0DQ GHG W\SH PP	0' ILHG										
	+										
	(
	/										
	/										
	/										
	/										
	/										
	/										
	/										
P											
Q											
K											
%											
)											

[REDACTED] 0(16,21 2)

[REDACTED] \$2,67

[REDACTED] H



)L[HG W\SH &' 0' PRGHO &' 0' PRGHO W W)L[HG W\SH &' 0' PRGHO W)L[HG W\SH %& PRGHO
'E? &'E0'» 7 &' 0'» 7 7 &'S 0'S W *E? %&
'E? &'E0'» 7 &'S0'S 7

- :LWK HPHUJHQF\ VWRS VZLWFK
- 5HLQIRUFHG EUDNLQJ VZLWFK
- SRVLWLRQ OLPLW
- 3URWHFWLRQ FODVV XS WR ,3
- :LWK WKHUPDO SUHYHQWLRQ

[REDACTED]												
&DS D WL		7										
[REDACTED]												
/LLWQL SHHG		0 PLQ										
[REDACTED]												
: LU HRS		D 'L PP										
		& RVQV EWRQ										
7U EN		7 WHH CSH7	D F	E F	F F	YRU						
		0 IQ XFU WQH DUGX	P									
[REDACTED]												
+ RL VQV L		3R ZH U	.Z									
PRW R U		5R DVVQL VISH G	5 PL Q									
		& XJHQ W	\$									
7UD Y (EOD		3R ZH U	.Z									
P RUVV		5R DVVQL VISH G	5 PL Q									
		& XJHQ W	\$									
[REDACTED]												
ODLQ GQLRSH		+										
		(
		/										
		/										
		/ &										
		0'										
		P										
		Q										
		K										
		%										
)										

[REDACTED]												
3\$ \$		6LQJOH KRRN	'RXEOH KRRN								[[
[REDACTED]												
3\$ \$		6LQJOH KRRN	'RXEOH KRRN								[[
[REDACTED]												
3\$ \$		6LQJOH KRRN	'RXEOH KRRN								[[
[REDACTED]												
3\$ \$		6LQJOH KRRN	'RXEOH KRRN								[[
[REDACTED]												
3\$ \$		6LQJOH KRRN	'RXEOH KRRN								[[
[REDACTED]												
											0 (
[REDACTED]												
											+67	
											+67	
[REDACTED]												
											[[
[REDACTED]												
											[[
[REDACTED]												

[REDACTED] 2//(<

[REDACTED]

3\$7 [[

[REDACTED]

3\$7 [[

[REDACTED]

3\$7 [[

[REDACTED]

3\$7 [[

[REDACTED]

3\$7 [[

[REDACTED]

[REDACTED] 3 (

:LWK HPHUJHQF\ VWRS VZLWFK
5HLQIRUFHG EUDNLQJ VZLWFK ZLWK
SRVLWLRQ OLPLW
3URWHFWLRQ FODVV XS WR ,3
:LWK WKHUPDO SUHYHQWLRQ GHYLFH

[REDACTED]

3\$) 6LQJOH KRRN
'RXEOH KRRN ; ;

[REDACTED]

3\$) 6LQJOH KRRN
'RXEOH KRRN ; ;

[REDACTED]

[REDACTED] +

.- (./ (.- (.- (

ORGHO	/RDG UDW NJ	SHHG P PLQ	ORWRU KS [S	9ROWDJH) Y	UHTXHQFYLIWLQJ +HL +]	WHO FDEOH PP [P NJ	3HUFHQWDJH GXW\ F\FOH
[REDACTED]	[REDACTED]	[REDACTED]	[REDACTED]	SKDV Y Y	[REDACTED]	[REDACTED]	[REDACTED]
[REDACTED]	[REDACTED]	[REDACTED]	[REDACTED]	Y Y	[REDACTED]	[REDACTED]	(' WLPHV K PD[VWDUWLQJ IUHTXHQF\
[REDACTED]	[REDACTED]	[REDACTED]	[REDACTED]	SKDV Y Y	[REDACTED]	[REDACTED]	[REDACTED]
[REDACTED]	[REDACTED]	[REDACTED]	[REDACTED]	Y Y	[REDACTED]	[REDACTED]	[REDACTED]

6\PERO	[REDACTED]	.- ([REDACTED]	.- ([REDACTED]	.- ([REDACTED]
\$ PP	[REDACTED]	¶	[REDACTED]	¶	[REDACTED]	¶	[REDACTED]
% PP	[REDACTED]		[REDACTED]		[REDACTED]		[REDACTED]
& PP	[REDACTED]		[REDACTED]		[REDACTED]		[REDACTED]
' PP	[REDACTED]		[REDACTED]		[REDACTED]		[REDACTED]
(PP	[REDACTED]		[REDACTED]		[REDACTED]		[REDACTED]
) PP	[REDACTED]		[REDACTED]		[REDACTED]		[REDACTED]

ORGHO	/RDG UDW NJ	SHHG P PLQ	ORWRU KS [S	9ROWDJH) Y	UHTXHQFYLIWLQJ +HL +]	WHO FDEOH PP [P NJ	3HUFHQWDJH GXW\ F\FOH
[REDACTED]	[REDACTED]	[REDACTED]	[REDACTED]	SKDV Y	[REDACTED]	[REDACTED]	[REDACTED]
[REDACTED]	[REDACTED]	[REDACTED]	[REDACTED]	Y	[REDACTED]	[REDACTED]	(' WLPHV K PD[VWDUWLQJ IUHTXHQF\
[REDACTED]	[REDACTED]	[REDACTED]	[REDACTED]	Y	[REDACTED]	[REDACTED]	[REDACTED]

DO 0RGHO

- . &

[Redacted]

- . &

[Redacted]

- . &

[Redacted]

- . &

[Redacted]

- . -0 7 7

DO 0RGHO

- 0 &

[Redacted]

SH

- 0 &

[Redacted]

- 0 &

[Redacted]

- 0 &

[Redacted]

- 0 &

[Redacted]

- 0 &

[Redacted]

- 0 &

[Redacted]

[Redacted]

- .

[Redacted]

K

- N == 4

[Redacted]

- N == 4

[Redacted]

- N == 4

[Redacted]

[Redacted]

RSH

- N < 0 7 - ; ;

[Redacted]

- N <= 5 0 7 - ; ;

[Redacted]

- N <= 5 0 <:= ; ;

[Redacted]

- . -0 7 7

-0 -0

[Redacted]

- 0

[Redacted]

K

- 0 == 4

[Redacted]

- 0 == 4

[Redacted]

- 0 == 4

[Redacted]

- 0 == 4

[Redacted]

- 0 == 4

[Redacted]

[Redacted]

RSH

- 0 < 0 7 - ; ;

[Redacted]

- 0 <= 5 / 7 - ; ;

[Redacted]

- 0 <= 5 0 <:= ; ;

[Redacted]

- 0 <= 5 6 <:= ; ;

[Redacted]

- 0 <= 5 6 <:= ; ;

[Redacted]

[REDACTED] & : , 1 & +

- ,W LV ZLGHO\ XVHG IRU OLIWLQJ KRLVWLQJ DQG GUD
IDFWRULHV FRQVWUXFWLRQ VLWHV HWF
- &RPSDFW OLJKW ZHLJKW HFRQRP\ DQG HIIHFWLYH DG
- 'XDO EUDNH V\ VWHP DQG KLJK IULFWLRQ FRSSHU GLVF
ORQJ XVLQJ OLIH
- +LJK VWUHQJWK KHDW WUHDWHG DOOR\ VWHHO JHDU Z
WKDQ WKH UDWHG FDSDFLW\
- \$GRSW XUJHQW VWRS VZLWFK DQG UHLQIRUFHG EUHDN
- 3URWHFWLRQ FODVV XS WR ,S
,W LQFOXGHV WKUHH VHULHV ZLWK GLIIHUHQW TXDOLV

[REDACTED]

[REDACTED]

[REDACTED]

[REDACTED]

[REDACTED]

/LIWLQJ 6S
P PLC

'8 3 9 +=

[REDACTED]

'8 3 9 +=

[REDACTED]

'8 3 9 +=

[REDACTED]

'8 3 9 +=

[REDACTED]

[REDACTED] FRP