



CHONGQING TITAN SUHE TECH CO., LTD
Address: 8-3, A Tower, Xiexin Building, Hongjin Road,
Yubei District, Chongqing, China

Tel: 0086-23-67109118
Fax: 0086-23-67109618

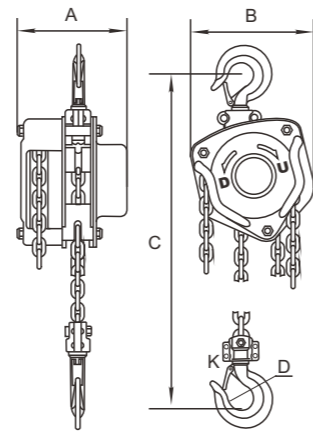
What's app/wechat : +8617815375169
Email: sales101@titansuhe.com

WWW.TITANSUHELIFT.COM

HSZ-A600 Series Chain Block Specifications Light Duty



- Light duty, for lashing and tighten purpose
- Limited life cycle
- Mild steel load chain with black oxide finish
- Self color hand chain

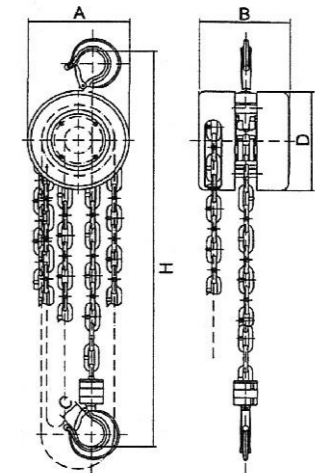


Model	HSZ-0.5	HSZ-1	HSZ-1.5	HSZ-2	HSZ-3	HSZ-5	HSZ-10
Capacity	tons 0.5	1	1.5	2	3	5	10
Standard lift	m 2.5	2.5	2.5	3	3	3	3
Running test load	kN 5	10	15	20	30	50	100
Effort required to lift rated load	N 221	304	343	314	343	382	392
Diameter of load chain	MM 6	6	8	6	8	10	10
Strands of load chain	1	1	1	2	2	2	4
Net weight	kg 8	8	11.8	12	20	33	69
Packing measurement	cm 28x21x17	30x24x18	34x29x20	33x28x19	38x33x20	45x39x24	55x51x29
Extra weight per meter of extra lift	kg 1.7	1.7	2.3	2.3	3.7	5.3	9.7

HSZ-A605 Series Chain Block Specifications Light Duty



- Light duty, for lashing and tighten purpose
- Limited life cycle
- Mild steel load chain with black oxide finish
- Self color hand chain



Model	HSZ-0.5	HSZ-1	HSZ-1.5	HSZ-2	HSZ-3	HSZ-5	HSZ-10
Capacity	tons 0.5	1	1.5	2	3	5	10
Standard lift	m 2.5	2.5	2.5	3	3	3	3
Running test load	kN 5	10	15	20	30	50	100
Effort required to lift rated load	N 221	304	343	314	343	382	392
Diameter of load chain	MM 6	6	8	6	8	10	10
Strands of load chain	1	1	1	2	2	2	4
Net weight	kg 8	8	11.8	12	20	33	69
Packing measurement	cm 28x21x17	30x24x18	34x29x20	33x28x19	38x33x20	45x39x24	55x51x29
Extra weight per meter of extra lift	kg 1.7	1.7	2.3	2.3	3.7	5.3	9.7